

Series 55 - 고성능 이중 편심 대형 버터플라이 밸브

Double Eccentric Large Size Butterfly Valves

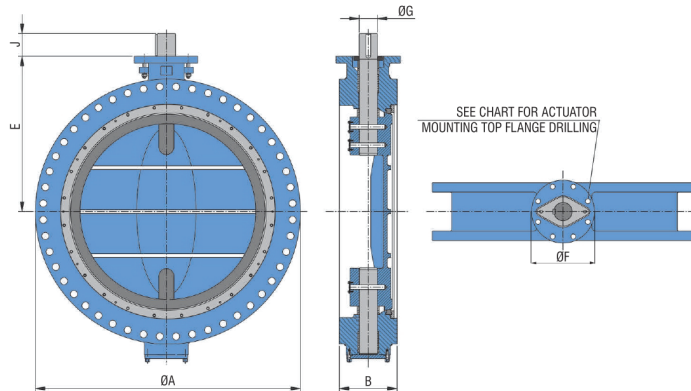
DelVal® S55



형식	Series 55 - Double Flanged Body		
사이즈	650mm ~ 2000mm		
압력 범위	ASME B16.34 650mm ~ 1200mm - ASME Class 150, DIN PN 16bar ASME B16.34 650mm ~ 2000mm - DIN PN6bar, PN10bar		
압력 / 온도	ASME B16.34 (온도 범위 : -50°C ~ 200°C)		
바디(Body)	Cast Iron ASTM A126 Gr-B. / IS 210 FG - 260 Ductile Iron ASTM A536 65-45-12, ASTM A216 WCB Carbon Steel Fabricated		
디스크(Disc)	Stainless Steel ASTM A351 CF8 / CF8M Ductile Iron ASTM A536 65-45-12 Nylon Coated Carbon Steel Fabricated		
스텝(Stem)	Stainless Steel ASTM A479 SS 410 Stainless Steel ASTM A564 17-4 PH Type 630		
시트(Seat)	EPDM (-29°C ~ 150°C) Viton (-18°C ~ 200°C)	Buna-N(-18°C ~ 100°C) Silicone(-50°C ~ 200°C)	
누수 등급	Class VI		
연결 기준	ANSI, DIN, JIS		
설계/검사 기준	API 609, BS EN 593 / API 598, BS EN 12266-1		

*옵션 : LCB, Duplex SS, Super Duplex 가능

Engineering



DIMENSIONS(mm)

Valve Size		ØA	*B	E	Stem Connection									Top Flange Drilling				App.Weight (Kg.)
Inch	DN				PN6			PN10			PN16 & #150			ØF	BC	NO. of Holes	HOLE Ø	
					ØG	J	Key	ØG	J	Key	ØG	J	Key					
26	650	870	305	560	63.5	102	15.88x15.88	63.5	102	15.88x15.88	88.9	102	22.23x15.88	300	254	8	18	575
28	700	927	305	585	63.5	102	15.88x15.88	63.5	102	15.88x15.88	88.9	102	22.23x15.88	300	254	8	18	660
30	750	985	305	640	63.5	102	15.88x15.88	76.2	102	19.05x19.05	88.9	102	22.23x15.88	350	298	8	21	750
32	800	1060	305	670	63.5	102	15.88x15.88	76.2	102	19.05x19.05	101.6	134	25.40x19.05	350	298	8	21	850
36	900	1170	305	705	76.2	102	19.05x19.05	88.9	102	22.23x15.88	101.6	134	25.40x19.05	350	298	8	21	1080
40	1000	1290	305	810	76.2	102	19.05x19.05	101.6	134	25.40x19.05	120.0	150	32.00x18.00	415	356	8	33	1340
44	1100	1404	381	845	88.9	102	22.23x15.88	120	150	32.00x18.00	120.0	150	32.00x18.00	415	356	8	33	1710
48	1200	1512	381	915	88.9	102	22.23x15.88	120	150	32.00x18.00	120.0	150	32.00x18.00	415	356	8	33	2038
52	1300	1626	381	975	101.6	134	25.40x19.05	120	150	32.00x18.00	-	-	-	475	406	8	39	2400
56	1400	1750	381	1025	120.0	150	32.00x18.00	140	180	36.00x24.00	-	-	-	475	406	8	39	3125
60	1500	1855	381	1090	120.0	150	32.00x18.00	140	180	36.00x24.00	-	-	-	475	406	8	39	3425
72	1800	2115	457	1275	140.0	180	36.00x24.00	175	200	45.00x25.00	-	-	-	560	483	12	39	4465
80	2000	2325	457	1350	140.0	180	36.00x24.00	175	200	45.00x25.00	-	-	-	560	483	12	39	5765