

Double Offset Butterfly Valve

Series 49 - 고성능 이중 편심 버터플라이 밸브

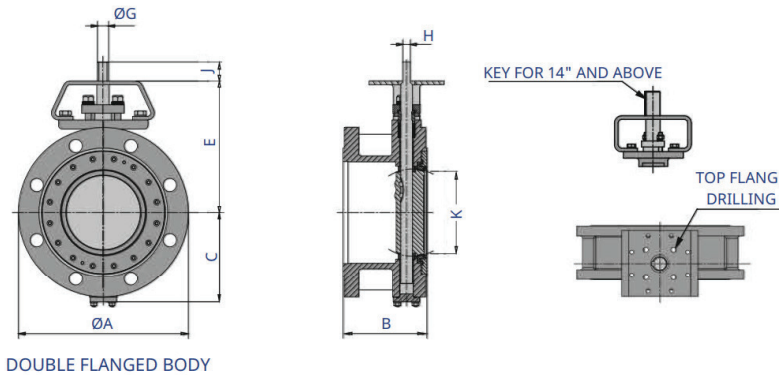
High Performance Double Offset Butterfly Valves

DelVal® S49



형식	Series 49 - Double Flanged Body	
사이즈	80mm ~ 600mm	
압력 범위	ASME B16.34	80mm ~ 600mm - ASME Class 300
압력 / 온도	ASME B16.34	(온도 범위 : -50°C ~ 427°C)
바디(Body)	Carbon steel ASTM A216 WCB, A352 LCC Stainless Steel ASTM A351 CF8 / CF8M	
디스크(Disc)	Stainless Steel ASTM A351 CF8 / CF8M	
스텝(Stem)	Stainless Steel ASTM A479 SS 410 Stainless Steel ASTM A479 SS 316 Stainless Steel ASTM A479 XM-19 Stainless Steel ASTM A564 17-4 PH	
시트(Seat)	ULTRA / RPTFE (50mm ~ 600mm) PTFE / RPTFE (350mm ~ 600mm) FIRESAFE-SS316 + PTFE (50mm ~ 600mm) METAL-SS316 / INCONEL 625 (50mm ~ 600mm)	
누수 등급	Soft seat - Class VI, Metal seat - Class IV	
연결 기준	ANSI, DIN, JIS	
설계/검사 기준	API 609, BS EN 593 / API 598, BS EN 12266-1	
*옵션 : LCB, Duplex SS, Super Duplex 가능		

Engineering



DIMENSIONS(mm)

ASME CLASS 300 WAFER / LUG (SERIES 49)

Valve Size		ØA	*B	C	E	Top Flange Drillig			ØG	H	J	Key Size	K	App. Weight (kg)
Inch	DN					BC	NO. of Holes	Hole Dia						
2	50	165	108	98	167	50/70	4	8/10	14.0	10	32	-	26.00	12
2½	65	190	114	118	184	70	4	10	16.0	11	32	-	35.00	14
3	80	210	114	120	190	70	4	10	16.0	11	32	-	56.32	20
4	100	255	127	123	190	70	4	10	16.0	11	32	-	79.71	25
5	125	280	140	139	200	70/102	4	10/12	22.0	-	32	06.00x06.00	84.71	56
6	150	320	140	173	245	70/102	4	10/12	22.0	-	32	06.00x06.00	129.91	58
8	200	380	152	207	305	125	4	14	30.0	-	51	08.00x07.00	176.91	89
10	250	445	165	240	351	125	4	14	35.0	-	51	10.00x08.00	221.20	129
12	300	520	178	277	400	140/165	4	18/22	40.0	-	51	12.00x08.00	267.62	161
14	350	585	190	318	457	165	4	22	55.0	-	64	16.00x10.00	278.67	189
16	400	650	216	365	528	165	4	22	55.0	-	64	16.00x10.00	321.87	231
18	450	710	222	400	591	254	8	18	70.0	-	102	20.00x12.00	357.35	330
20	500	775	229	430	602	254	8	18	80.0	-	102	22.00x14.00	388.38	535
22	550	838	267	436	772	298	8	22	100.0	-	134	28.00x16.00	456.00	815
24	600	915	267	504	795	298	8	22	100.0	-	134	28.00x16.00	476.11	862

*Face to face dimension "B", conforms to API 609 Category B up to DN 600(24"), CL150 and CL300. Please consult DelVal for other dimensions. DelVal reserves rights to change the contents without notice.