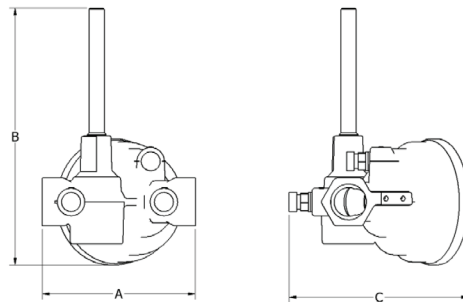
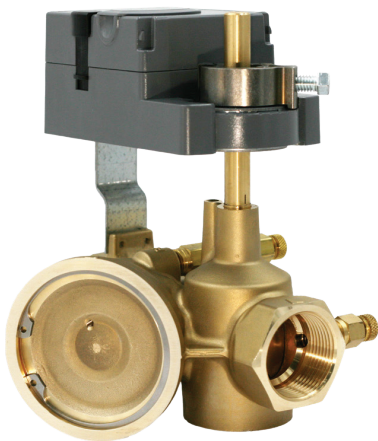


# 40mm (1 1/2") LDP

## VALVE SPECIFICATIONS

Characteristics	Pressure Independent
Service	Heating Water or Chilled Water, Glycol
Maximum Design Flow at 5 PSID [0.34bar] Minimum	45 GPM [2.83 LPS]/ 170.3 LPM
Maximum Flow Variation	+/- 5%
Differential Pressure Range	5 – 70 PSID [0.34 – 4.83 bar]
Body Pressure Rating	300 PSIG [20.7 bar]
Close Off Pressure	200 PSID [13.8 bar]
Pipe Connections	Female NPT
Materials	
Body	ASTM B16 Brass
Internals	ASTM B16 Brass / AISI 304 SS
Seals	EPDM
Shutoff	ANSI B16-104
Leakage	ANSI / FCI 70-2-2-2006, Class IV
Rangeability	100 : 1
Maximum Temperature	250°F [121°C]
P/T Ports	3
Weight (Valve Only)	9.6 lbs [4.35kg]
Actuation	90 ° Electric, Fail-In-Place, Fail-Safe; Manual

### Guaranteed ΔT



Dimensions in inches [mm]

Valve Size	Valve Type	A	B	C
1 1/2" LDP [40mm]	Threaded	7.5 [191]	8.2 [208]	6.3 [160]
For information only and not for fabrication				