

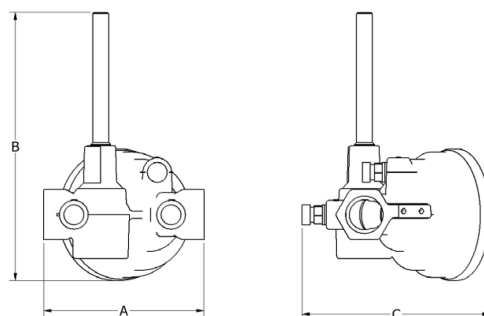
20mm (3/4") LDP & 32mm (1 1/4") LDP

VALVE SPECIFICATIONS

Characteristics	Pressure Independent
Service	Heating Water or Chilled Water, Glycol
Maximum Design Flow at 5 PSID [0.34bar] Minimum	3/4" : 11.0 GPM [0.69 LPS] / 41.6 LPM 1 1/4" : 32.0 GPM [2.01 LPS] / 121.1 LPM
Maximum Flow Variation	+/- 5%
Differential Pressure Range	5 - 70 PSID [0.34 - 4.83 bar]
Body Pressure Rating	300 PSIG [20.7 bar]
Close Off Pressure	200 PSID [13.8 bar]
Pipe Connections	Female NPT
Materials	
Body	ASTM B16 Brass
Internals	ASTM B16 Brass / AISI 304 SS
Seals	EPR / EPDM
Shutoff	ANSI B16-104
Leakage	ANSI / FCI 70-2-2-2006, Class IV
Rangeability	100 : 1
Maximum Temperature	250°F [121°C]
P/T Ports	3
Weight (Without Actuator)	3/4" : 3.19 lbs [1.45 kg] / 1 1/4" : 5.5 lbs [2.50 kg]
Actuation	90° Electric, Manual, Pneumatic*

* Pneumatic is available on our 3/4" HDP and 1 1/4" HDP. Contact Factory for information.

Guaranteed ΔT



Dimensions in inches [mm]

Valve Size	A	B	C
3/4" LDP [20mm]	4.0 [102]	6.7 [170]	4.7 [119]
1 1/4" LDP [32mm]	6.0 [152]	7.7 [196]	5.6 [142]

For information only and not for fabrication