

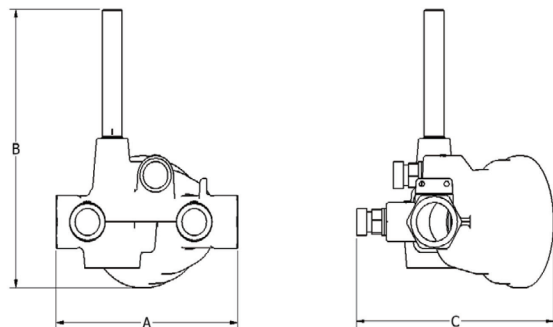
PRODUCT

15mm (1/2") MDP

VALVE SPECIFICATIONS

Characteristics	Pressure Independent
Service	Heating Water or Chilled Water, Glycol
Maximum Design Flow at 5 PSID [0.34bar] Minimum	5.0 GPM [0.31 LPS] / 18.9 LPM
Maximum Flow Variation	+/- 5%
Differential Pressure Range	5 - 70 PSID [0.34 - 4.83 bar]
Body Pressure Rating	300 PSIG [20.7 bar]
Close Off Pressure	200 PSID [13.8 bar]
Pipe Connections	Female NPT
Materials	
Body	ASTM B16 Brass
Internals	ASTM B16 Brass / AISI 304 SS
Seals	EPR / EPDM
Shutoff	ANSI B16-104
Leakage	ANSI / FCI 70-2-2-2006, Class IV
Rangeability	100 : 1
Maximum Temperature	250°F [121°C]
P/T Ports	3
Weight (Without Actuator)	1.67 lbs [0.76 kg]
Actuation	90° Electric Fail in Place, Fail Safe

Guaranteed ΔT



Dimensions in inches [mm]

Valve Size	Valve Type	A	B	C
1/2" MDP [15mm]	Threaded	3.7 [94]	5.1 [130]	4.0 [102]
For information only and not for fabrication				