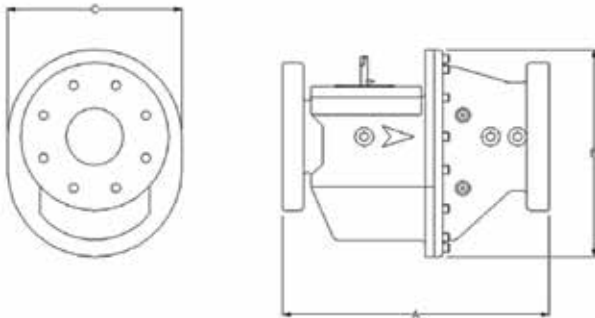


100mm (4") EDP & 150mm (6") EDP

Valve Specifications

Characteristics	Pressure Independent
Service	Heating Water or Chilled Water, Glycol
Maximum Design Flow at 5 PSID [0.34bar] Minimum	4" : 326 GPM [20.5 LPS] / 1234.0 LPM 6" : 650 GPM [41.0 LPS] / 2460.5 LPM
Maximum Design Flow at 10 PSID [0.69bar] Minimum	4" : 430 GPM [27.1 LPS] / 1627.7 LPM 6" : 800 GPM [50.4 LPS] / 3028.3 LPM
Maximum Flow Variation	+/- 5%
Differential Pressure Range	5 – 70 PSID [0.34 – 4.83 bar] / 10 – 90 PSID [0.69 – 6.20 bar]
Body Pressure Rating	150 PSIG [10.3 bar] / 300 PSIG [20.7 bar]
Close Off Pressure	150 PSID [10.3 bar]
Pipe Connections	ANSI 125# FF Flanged (150 PSIG) [10.3 bar] ANSI 250# FF Flanged (300 PSIG) [20.7 bar]
Materials	
Body	ASTM A536 Ductile Iron
Internals	ASTM B16 Brass / Teflon / CS / 304 SS
Seals	EPR / EPDM
Shutoff	ANSI B16-104
Leakage	ANSI / FCI 70-2-2-2006, Class III
Rangeability	100 : 1
Maximum Temperature	250°F [121 °C]
P/T Ports	3
Weight (Without Actuator)	4" : 165 lbs [75 kg] / 6" : 240 lbs [109 kg]
Actuation	90° Electric, Pneumatic, Manual



Dimensions in inches [mm]

Valve Size	A	B	C
4" EDP [100mm]	18.0 [457]	14.0 [356]	11.8 [300]
6" EDP [150mm]	20.5 [521]	16.2 [411]	13.4 [340]

For information only and not for fabrication

Guaranteed ΔT

