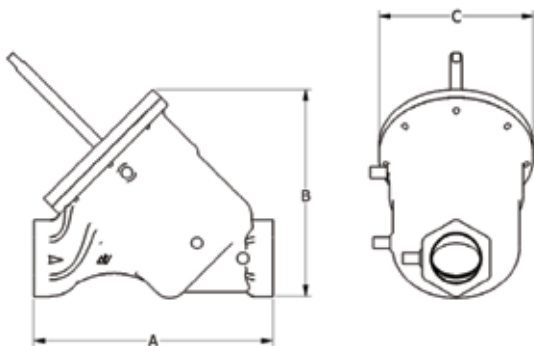


# 50mm (2") HDP

## Valve Specifications

Characteristics	Pressure Independent
Service	Heating Water or Chilled Water, Glycol
Maximum Design Flow at 5 PSID [0.34bar] Minimum	90 GPM [5.6 LPS] / 340.7 LPM
Maximum Design Flow at 10 PSID [0.69bar] Minimum	112 GPM [7.1 LPS] / 424.0 LPM
Maximum Flow Variation	+/- 5%
<b>Differential Pressure Range</b>	5 – 70 PSID [0.34 – 4.83 bar] / 10 – 90 PSID [0.69 – 6.20 bar]
Body Pressure Rating	300 PSIG [20.7]
<b>Close Off Pressure</b>	200 PSID [13.8]
Pipe Connections	Female NPT
Materials	
Body	ASTM A536 Ductile Iron
Internals	ASTM B16 Brass / AISI 304 SS
Seals	EPDM/ PTFE
<b>Shutoff</b>	ANSI B16-104
Leakage	ANSI / FCI 70-2-2-2006, Class III
Rangeability	100 : 1
Maximum Temperature	250°F [121 °C]
P/T Ports	3
Weight (Without Actuator)	34 lbs [15.4 kg]
Actuation	90° Electric, Pneumatic, Manual

Guaranteed  $\Delta T$



## Dimensions in inches [mm]

Valve Size	A	B	C
2" HDP [50mm]	10.5 [267]	9.4 [239]	6.8 [173]
For information only and not for fabrication			

