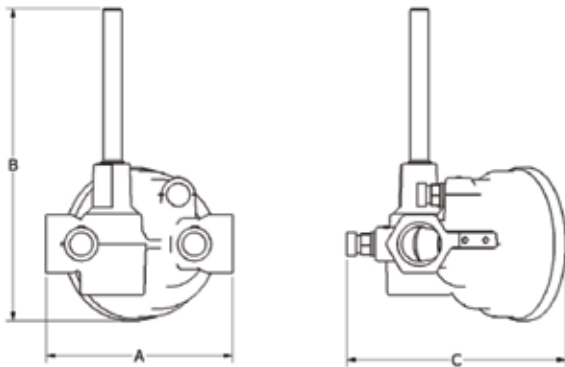


20mm ($\frac{3}{4}$ ") LDP & 32mm ($1 \frac{1}{4}$ ") LDP

Valve Specifications

Characteristics	Pressure Independent
Service	Heating Water or Chilled Water, Glycol
Maximum Design Flow at 5 PSID [0.34bar] Minimum	$\frac{3}{4}$ " : 11.0 GPM [0.69 LPS] / 41.6 LPM 1 $\frac{1}{4}$ " : 32.0 GPM [2.01 LPS] / 121.1 LPM
Maximum Flow Variation	+/- 5%
Differential Pressure Range	5 – 70 PSID [0.34 – 4.83 bar]
Body Pressure Rating	300 PSIG [20.7 bar]
Close Off Pressure	200 PSID [13.8 bar]
Pipe Connections	Female NPT
Materials	
Body	ASTM B16 Brass
Internals	ASTM B16 Brass / AISI 304 SS
Seals	EPR / EPDM
Shutoff	ANSI B16-104
Leakage	ANSI / FCI 70-2-2-2006, Class IV
Rangeability	100 : 1
Maximum Temperature	250°F [121 °C]
P/T Ports	3
Weight (Without Actuator)	$\frac{3}{4}$ " : 3.19 lbs [1.45 kg] / 1 $\frac{1}{4}$ " : 5.5 lbs [2.50 kg]
Actuation	90° Electric, Manual, Pneumatic*

* Pneumatic is available on our $\frac{3}{4}$ " HDP and 1 $\frac{1}{4}$ " HDP. Contact Factory for information.



Dimensions in inches [mm]

Valve Size	A	B	C
$\frac{3}{4}$ " LDP [20mm]	4.0 [102]	6.7 [170]	4.7 [119]
1 $\frac{1}{4}$ " LDP [32mm]	6.0 [152]	7.7 [196]	5.6 [142]

For information only and not for fabrication

Guaranteed ΔT

